

# TECHNICAL DATASHEET



**RAK48041**  
chrome plated

**Reference:** RAK48041

**Product:** Dual shower system L = 960 mm

## Product Description:

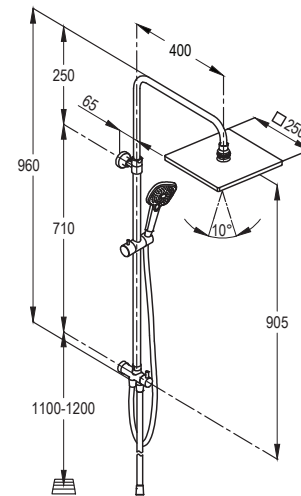
dual shower system DN15  
solid lever  
wall fastening  
two way ceramic diverter  
3S hand shower DN15, with three spray patterns  
swivel square head shower (250x250mm) DN15  
ridgeless adjustable shower holder  
with vertically and cylindrically adjustable  
supreme shower hose 1/2 x 1/2 inch x 1500mm  
connecting hose 1/2 x 1/2 inch x 800 mm  
with fixing kit

## Advertisement:

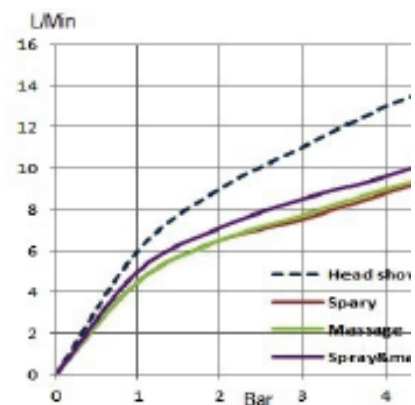
- \* KLUDI RAK LLC item no. RAK48041
- \*\* chrome plated stainless steel
- \*\*\* DIN EN 1112 / DIN EN 1113
- \*\*\*\* with two way ceramic diverter

Dual shower system DN15, manufacturer KLUDI RAK LLC item no. RAK48041 chrome plated stainless steel, with 2 way ceramic diverter cartridge: head shower to hand shower, wall fastening, lever chrome plated metal, with swivel head shower DN15, chrome plated ABS, with cleaning system, with 3S hand shower DN15, chrome plated ABS, jet kind: spray/massage/spray & massage, with supreme shower hose 1/2 x 1/2 inch x 1500 mm, with connecting hose for mixer to dual shower system 1/2 x 1/2 inch x 800 mm, with wall socket, with fixing kit, for continuous line heater, for pressure type water heater

## Line Drawing:



## Water-flow Rate:



RAK48041 online

28/2/2021

**KLUDI**  
**RAK**

"We Stand for Water Saving"