

# TECHNICAL DATASHEET

Reference: RAK39003-87

Product: PIVOT single lever shower mixer DN 15



RAK39003-87

Chrome

## Product Description:

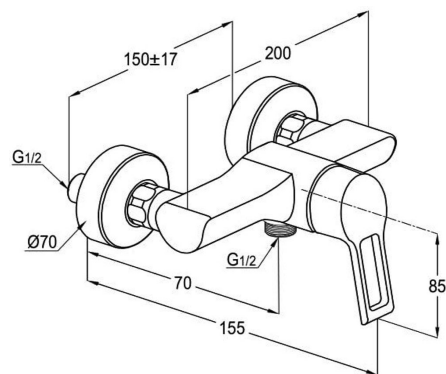
single lever shower mixer DN 15  
wall fastening  
solid lever  
ceramic cartridge with hot water safety device  
shower connection 1/2 inch  
protected against back flow  
S-unions 1/2 x 3/4 inch  
in accordance to EN 817  
flow regulator 8.0 ltr/min

## Advertisement:

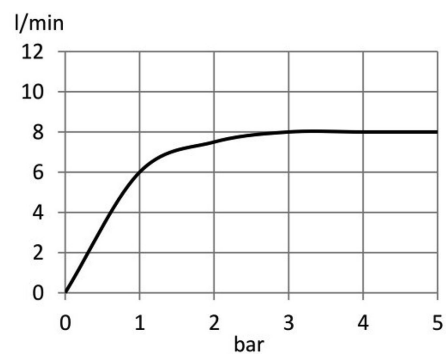
- \* KLUDI RAK LLC item no. RAK39003-87 PIVOT single lever shower mixer
- \* chrome plated brass, in accord. to EN 50930-6
- \* in accordance to EN 817, EN 1717
- \* ceramic cartridge K-35 with hot water safety device

single lever shower mixer, manufacturer KLUDI RAK LLC, KLUDI RAK PIVOT item no. RAK39003-87 type: single lever shower mixer, DN 15 / PN 10, chrome plated brass, solid lever, chrome plated metal, ceramic cartridge K-35 with hot water safety device, protected against back flow EN 1717, wall fastening, shower connection 1/2 inch, S-unions 1/2 x 3/4 inch, flow regulator 8.0 ltr/min, for pressure type water heater, for continues line heater, dimensions: projection shower connection 70 mm, nozzle projection 155 mm, lever projection 85 mm

## Line Drawing:



## Water Flow Rate#:



# variation: ± 15%



RAK39003-87 online

31/3/2022

**KLUDI**  
**RAK**

"We Stand for Water Saving"