

TECHNICAL DATASHEET

Reference: RAK38000-09

Product: PACIFIC single lever basin mixer DN 15



RAK38000-09

Chrome

Product Description:

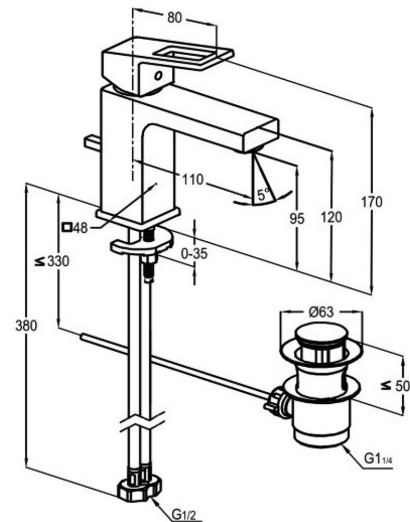
single lever basin mixer DN 15
single hole mounted
solid lever
ceramic cartridge with hot water safety device
PCA aerator M 24 x 1
flow level 1 gpm (3.80 l/min)
flexible high pressure supply tubes 1/2 inch
rapid installation set
pop up waste 1 1/4 inch
in accordance to EN 817
Pressure Compensating Aerator 1 gpm (3.80 l/min)

Advertisement:

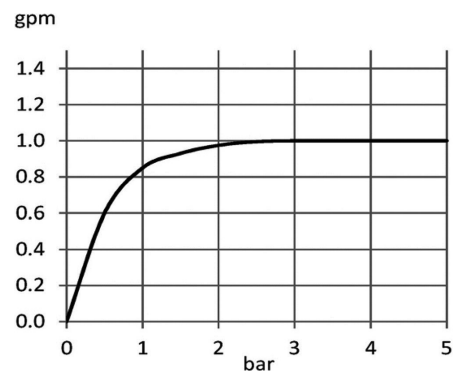
- * KLUDI RAK LLC item no. RAK38000-09 PACIFIC single lever basin mixer
- * chrome plated brass, in accord. to EN 50930-6
- * in accordance to EN 817
- * ceramic cartridge K-35 with hot water safety device

single lever basin mixer, manufacturer KLUDI RAK LLC, KLUDI RAK PACIFIC item no. RAK38000-09, type: single lever basin mixer, DN 15 / PN 10, chrome plated brass, solid lever chrome plated metal, ceramic cartridge K-35 with hot water safety device, PCA aerator M 24 x 1, flow level 1 gpm (3.80 l/min), flexible high pressure supply tubes 1/2 inch with DVGW / KIWA / WRAS / CSTBAT approval, rapid installation set, with pop up waste 1 1/4 inch, for pressure type water heater, dimensions: height 170 mm, nozzle height 95 mm, nozzle projection 110 mm, lever projection 80 mm

Line Drawing:



Water Flow Rate#:



variation: ± 15%



RAK38000-09 online

28/2/2022

KLUDI
RAK
"We Stand for Water Saving"