

# TECHNICAL DATASHEET

Reference: RAK34004-01

Product: PREMIER X dual controlled basin mixer  
DN15 with swivel spout



RAK34004-01

Chrome

## Product Description:

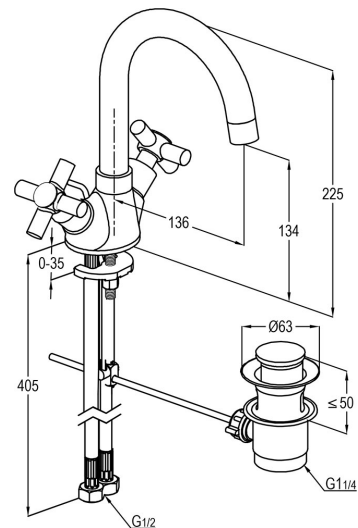
metal handle  
swivel U spout  
flexible hose DN 15 with pop up waste  
single hole mounted  
aerator M22 x 1  
flow rate 6.0 l/min  
in accordance to EN 200  
Pressure Compensating Aerator 6.0 l/min

## Advertisement:

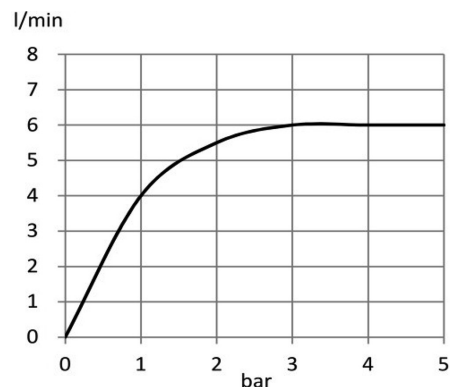
- \* KLUDI RAK LLC item no. RAK34004-01
- \* chrome plated brass, in accord. to EN 50930-6
- \* in accordance to EN 200

dual controlled basin mixer, manufacturer KLUDI RAK LLC KLUDI RAK PREMIER X item no. RAK34004-01, DN 15, chrome plated brass, with swivel U spout, aerator M22 x 1, flow rate 6.0 l/min., cross head parts handles with marking red / blue, handles chrome plated metal, nozzle height 134 mm, nozzle projection 136mm, total height 225 mm, for pressure type water heater, continuous line heater

## Line Drawing:



## Water Flow Rate#:



# variation: ± 15%



RAK34004-01 online

25/2/2022

**KLUDI**  
**RAK**

"We Stand for Water Saving"