

TECHNICAL DATASHEET

Reference: RAK34001-09

Product: PREMIER X dual controlled wall-mounted sink mixer DN15 with swivel spout



RAK34001-09

Chrome

Product Description:

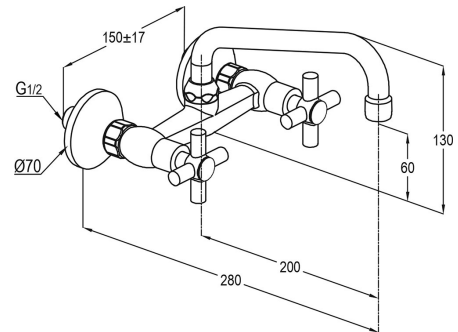
wall mounted sink mixer
wall fastening
metal handle
swivel spout
aerator M22 x 1
flow rate 3.8 l/min
outlet union 3/4 inch
S-unions 1/2 inch x 3/4 inch
in accordance to EN 200
Pressure Compensating Aerator 3.78 ltr/min (1 gpm)

Advertisement:

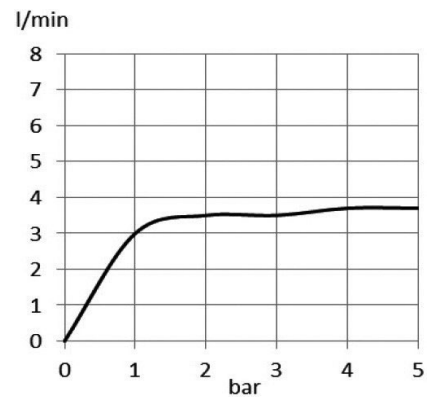
- * KLUDI RAK LLC item no. RAK34001-09
- * chrome plated brass, in accord. to EN 50930-6
- * in accordance to EN 200

dual controlled wall mounted sink mixer, manufacturer KLUDI RAK LLC, PREMIER X item no. RAK34001-09, DN 15, chrome plated brass, with swivel spout, aerator M22 x 1, flow rate 3.8 l/min, with cross head handles, with marking red/blue, chrome plated metal, with outlet union 3/4 inch, S-unions 1/2 x 3/4 inch, for pressure type water heater, continuous line heater dimensions: nozzle height 60 mm, nozzle projection 200 mm, total height 130 mm

Line Drawing:



Water Flow Rate#:



variation: ± 15%



RAK34001-09 online

11/3/2022

KLUDI
RAK
"We Stand for Water Saving"