

TECHNICAL DATASHEET

Reference: RAK34000-01

Product: PREMIER X dual controlled sink mixer DN15 with swivel spout



RAK34000-01

Chrome

Product Description:

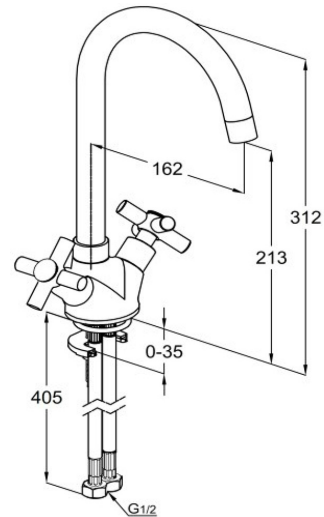
metal handle
swivel U spout
aerator M22 x 1
flexible hose DN 15
single hole mounted
flow rate 6.0 l/min
in accordance to EN 200
Pressure Compensating Aerator 6.0 l/min

Advertisement:

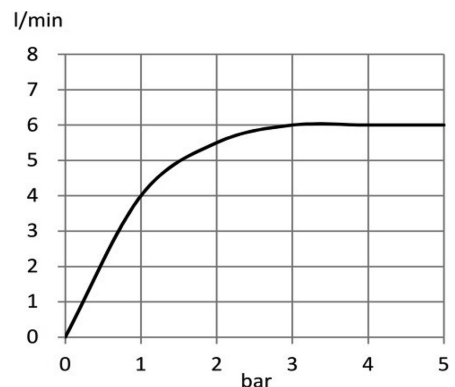
- * KLUDI RAK LLC item no. RAK34000-01
- * chrome plated brass, in accord. to EN 50930-6
- * in accordance to EN 200

dual controlled sink mixer DN 15, manufacturer KLUDI RAK LLC PREMIER X item no. RAK 34000-01, DN 15, chrome plated brass, with swivel U spout, cross head parts handles, with marking red / blue, handles chrome plated metal, aerator flow class 6.0 l/min., nozzle height 213mm, nozzle projection 162mm, total height 312 mm, for pressure type water heater, continuous line heater

Line Drawing:



Water Flow Rate#:



variation: ± 15%



RAK34000-01 online

4/11/2021

KLUDI
RAK
"We Stand for Water Saving"