

TECHNICAL DATASHEET

Reference: RAK22015

Product: Polypropylene bottle trap 1 1/4 inch



RAK22015

White

Product Description:

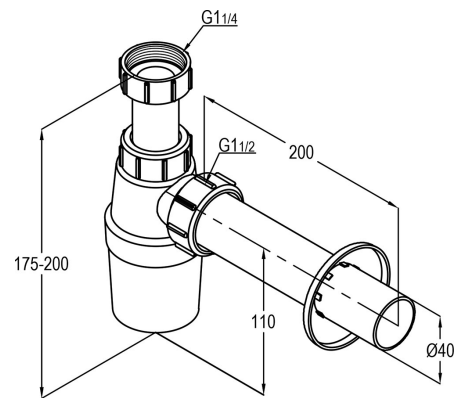
Polypropylene bottle trap 1 1/4 inch
with solid inlet tube 1 1/4 inch
with outlet tube $\text{\O}40 \times 200$ mm
with wall flange $\text{\O}78$ mm
with solid inlet tube $\text{\O}32 \times 140$ mm

Advertisement:

- * KLUDI RAK LLC item no. RAK22015
- * Polypropylene bottle trap
- * in accordance to BS EN 274-1

Polypropylene bottle trap G1 1/4 inch, KLUDI RAK LLC bathroom accessories, item no. RAK22015 for wash basin in accordance to BS EN 274-1, with outlet tube $\text{\O}40 \times 200$ mm, with adjustable solid inlet pipe $\text{\O}32 \times 140$ mm, with G1 1/4 inch thread connector, with wall flange $\text{\O}78$ mm

Line Drawing:



RAK22015 online

3/3/2022

KLUDI
RAK
"We Stand for Water Saving"