

TECHNICAL DATASHEET

Reference: RAK20007

Product: SWING Tumbler holder



*RAK20007

Chrome Finish

Product Description:

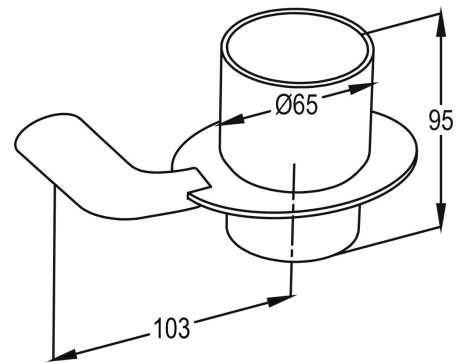
tumbler holder
with glass
wall fastening
with mounting kit

Advertisement:

* KLUDI RAK LLC item no. RAK20007 SWING tumbler holder
* Chrome plated brass

tumbler holder, manufacturer KLUDI RAK LLC, KLUDI RAK SWING bathroom accessories item no. RAK20007, Chrome plated brass, wall fastening, with mounting kit, dimensions : glass diameter: 65 mm, height: 95 mm

Line Drawing:



RAK20007 online

26/7/2022

KLUDI
RAK
"We Stand for Water Saving"