

TECHNICAL DATASHEET

Reference: RAK17041-01

Product: PEARL basin mixer with pop up waste G 1 1/4 DN 15



RAK17041-01

Chrome

Product Description:

basin mixer DN 15
3 hole deck mounted
solid levers
ceramic head part 90°, Right and Left
flexible high pressure supply tubes 1/2 inch
flow level 6.0 l/min
PCA aerator M 24 x 1
rapid installation set
pop up waste 1 1/4 inch
Pressure Compensating Aerator 6.0 l/min

Advertisement:

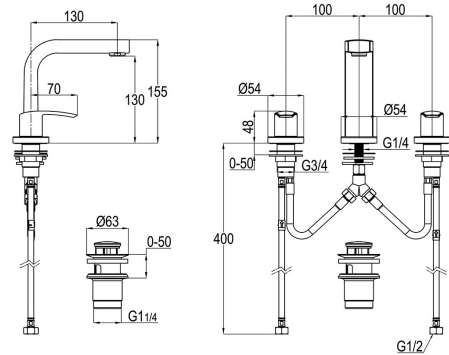
* KLUDI RAK LLC item no. RAK17041-01 PEARL 3 hole basin mixer

* chrome plated brass, in accord. to EN 50930-6

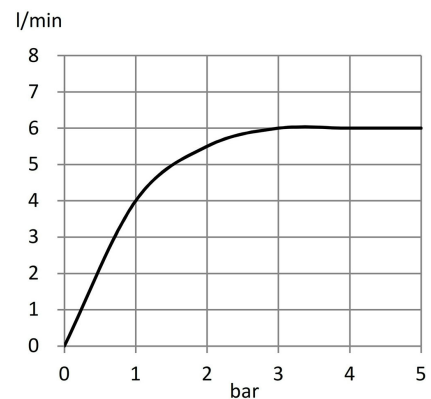
* in accordance to EN 817

basin mixer, manufacturer KLUDI RAK LLC, KLUDI RAK PEARL item no. RAK17041-01, type:3 hole basin mixer, DN 15 / PN 10, chrome plated brass, solid lever, chrome plated metal, ceramic head part 90°, PCA aerator M 24 x 1, flow level 6.0 l/min, flexible high pressure supply tubes 1/2 inch with DVGW / KIWA/ WRAS / CSTBAT approval, rapid installation set, with pop up waste 1 1/4 inch, for pressure type water heater, Dimensions: height 155 mm, nozzle height 130 mm, nozzle projection 130 mm, lever projection 70 mm

Line Drawing:



Water Flow Rate#:



variation: ± 15%



RAK17041-01 online

25/2/2022

KLUDI
RAK

"We Stand for Water Saving"