

# TECHNICAL DATASHEET

Reference: RAK12031\*

Product: PRIME electronic controlled basin mixer



\*RAK12031  
Chrome Finish



\*RAK12031.GD1  
Gold Color  
Glossy Finish



\*RAK12031.RG1  
Rose Gold Color  
Glossy Finish



\*RAK12031.BK1  
Black Color  
Glossy Finish

## Product Description:

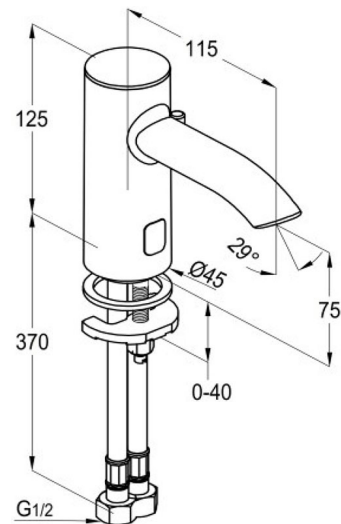
electronic controlled basin mixer DN 15  
with 9 V Alkaline Battery  
single hole mounted  
magnet-cartridge unit, with mixing shaft  
with control handle  
cache aerator M 16.5 x 1, flow class A  
optical object-registration  
rapid installation set  
flexible high pressure supply tubes G1/2 inch with  
integrated back flow preventer

## Advertisement:

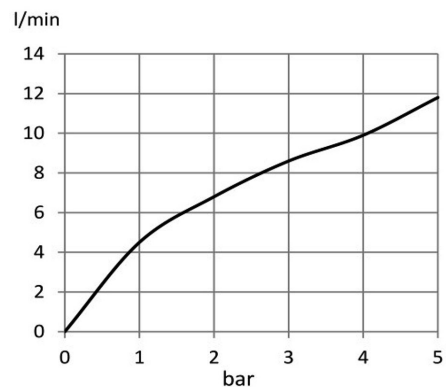
\* KLUDI RAK LLC item no. RAK12031, PRIME electronic controlled basin mixer  
\* Chrome plated/PVD Gold/PVD Rose Gold/PVD Black brass, in accord. to EN 50930-6

Electronic controlled basin mixer, manufacturer KLUDI RAK LLC, KLUDI RAK PRIME item no. RAK12031, electronic controlled basin mixer, DN 15 / PN 10, Chrome plated/PVD Gold/PVD Rose Gold/PVD Black brass, with mixing shaft and temperature control handle, cache aerator M 16.5 x 1, activation optoelectronic, with 9 V Alkaline Battery, usage of 6 V Lithium Battery CR-P2 possible, battery is outside of basin mixer maintenance-friendly in an external battery box, safety class IP 65, max. warm water intake temperature 65 °C, with functional reliability magnet-cartridge unit, valve closed in rest position, maxi- mum water run-time 2 minutes, flexible high pressure supply tubes with metal body G1/2 inch with integrated back flow preventer with DVGW / W270 approval, rapid installation set dimensions: height: 125 mm, nozzle height: 75 mm, projection: 115 mm for pressure type water heater (if static pressure greater than > 5 bar install a pressure reducer)

## Line Drawing:



## Water Flow Rate#:



# variation: ± 15%



RAK12031 online

4/3/2022

**KLUDI**  
**RAK**

"We Stand for Water Saving"