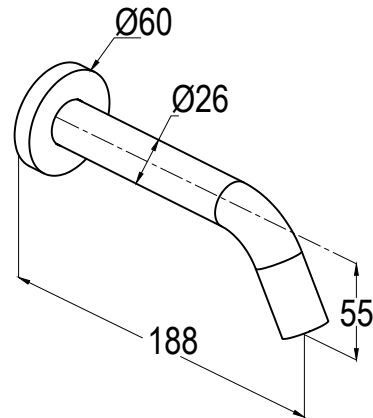


38404NO

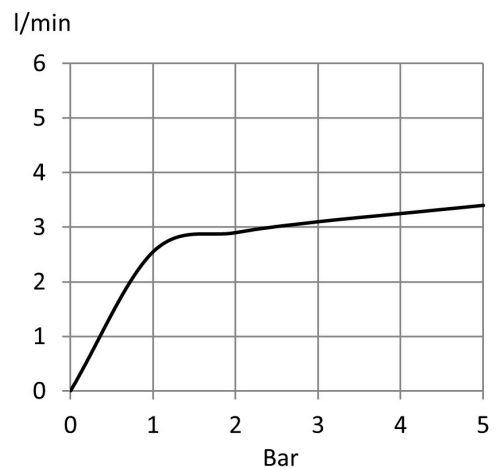
Auto sensor tap - Wall mounted



Technical Specifications:

Suite:	KLUDI-WAVE
Flow Rate:	3.1L/min at 3 bar
Power supply:	AC100-240V
Color:	Brushed Gold
Max protect run time:	60 seconds
Aerator:	Neoperl
Dimensions:	190×163mm

Water Flow Rate #:



variation: ± 15%

Code:

38404NO

Name:

KLUDI-WAVE
AUTO SENSOR TAP - WALL MOUNTED
IR Sensor activation
electric power supply AC100-240V
Water pressure 0.05 MPa – 0.80 MPa
G½" inlet thread
Certified to BS EN 15091:2013 standard

Dimensions: All dimensions in mm. Tolerance of vitreous china & fireclay items: ± 5% for below 200mm and ± 3% for above 200mm; for all other items tolerance ± 1%. Note: Due to a continuing development program to improve design and performance, the manufacturer reserves all rights to vary specifications without prior information. Please note accessories are for photographic use only.