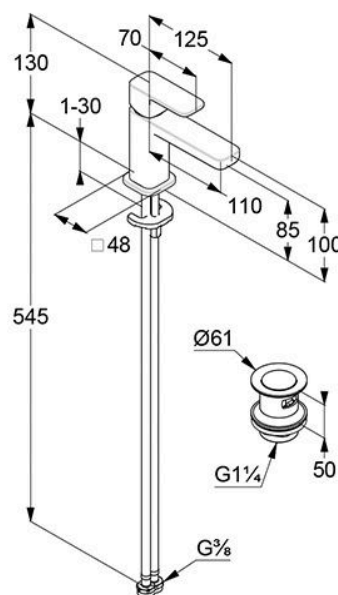


KLUDI-RENON SINGLE LEVER BASIN MIXER 85 DN 15

422665375

Basin Mixers

KLUDI 



Technical Specification

Series:	KLUDI-RENON
Color:	matt white
Dimensions:	14.3 x 3.6 x 13cm
Height:	13
Lever Type:	Single
Water Efficiency:	Moderate
Installation Type:	Deck-mounted

Name:

- KLUDI-RENON
- single lever basin mixer 85 DN 15
- single hole mounted
- solid lever
- PCA Cache aerator M 18,5 x 1
- ceramic cartridge with hot water limitation
- flow rate 5 l/min at 3 bar
- flexible pressure hoses G 3/8 DVGW approved
- rapid installation set
- PUSH-OPEN waste G 1 1/4

Dimensions: All dimensions in mm. Tolerance of vitreous china & fireclay items: $\hat{A}\pm 5\%$ for below 200mm and $\hat{A}\pm 3\%$ for above 200mm; for all other items tolerance $\hat{A}\pm 1\%$. Note: Due to a continuing development program to improve design and performance, the manufacturer reserves all rights to vary specifications without prior information. Please note accessories are for photographic use only.