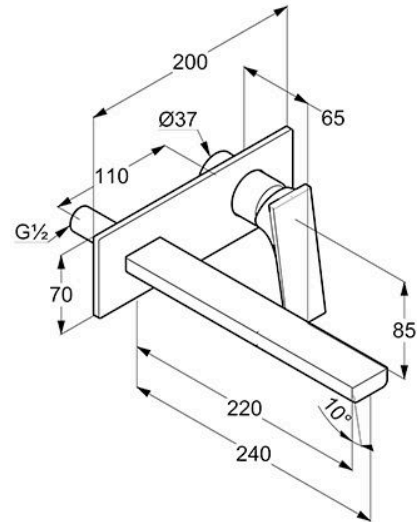


KLUDI-DECUS CONCEALED TWO HOLE WALL MOUNTED BASIN MIXER



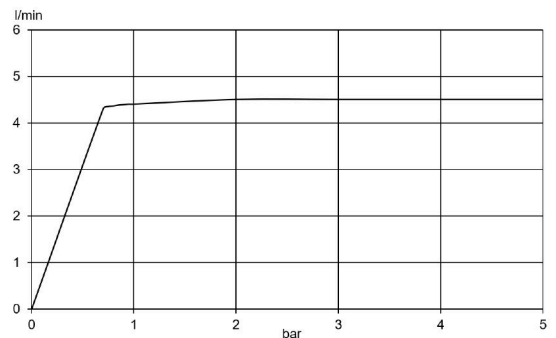
54245N575

Basin Mixers



Technical Specification

Series:	KLUDI-DECUS
Color:	brushed nickel
Dimensions:	24 x 20 x 7cm
Height:	7
Lever Type:	Single
Water Efficiency:	Moderate
Installation Type:	Wall-Mounted



Name:

- KLUDI-DECUS
- concealed two hole wall mounted basin mixer
- trim set
- for pre-installation set 38241
- without pre-installation set
- wall fastening
- solid lever
- cache s-pointer-aerator M18,5 x 1
- flow rate 4,5 l/min at 3 bar
- fixed spout

Dimensions: All dimensions in mm. Tolerance of vitreous china & fireclay items: $\hat{A}\pm 5\%$ for below 200mm and $\hat{A}\pm 3\%$ for above 200mm; for all other items tolerance $\hat{A}\pm 1\%$. Note: Due to a continuing development program to improve design and performance, the manufacturer reserves all rights to vary specifications without prior information. Please note accessories are for photographic use only.