

TECHNICAL DATASHEET

Reference: RAK20004

Product: SWING Paper Holder



*RAK20004
Chrome Finish

Product Description:

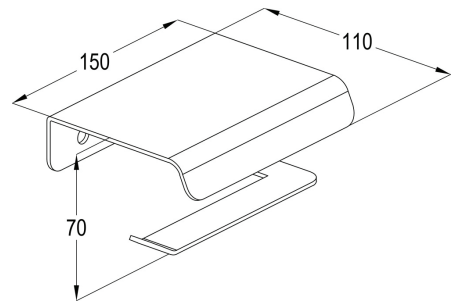
paper holder
wall fastening
with mounting kit

Advertisement:

* KLUDI RAK LLC item no. RAK20004 SWING paper holder
* Stainless steel

paper holder, manufacturer KLUDI RAK LLC, KLUDI RAK SWING bathroom accessories item no. RAK20004, Stainless steel wall fastening, with mounting kit, dimensions: projection: 110 mm, length: 150 mm, height: 70 mm

Line Drawing:



RAK20004 online

26/7/2022

KLUDI
RAK
"We Stand for Water Saving"