

Product: **PROJECT XL single lever basin mixer DN 10**

Ref.: **RAK11060**

Product description

single lever basin mixer XL DN 10
 single hole mounted
 solid lever
 ceramic cartridge with hot water safety device
 aerator M 24 x 1
 flow class A
 flexible high pressure supply tubes 3/8 inch
 rapid installation set
 pop up waste 1 1/4 inch
 noise group I, P-IX 6709/IA
 in accordance to EN 817

Finishes:
 05 chrome plated

Product picture

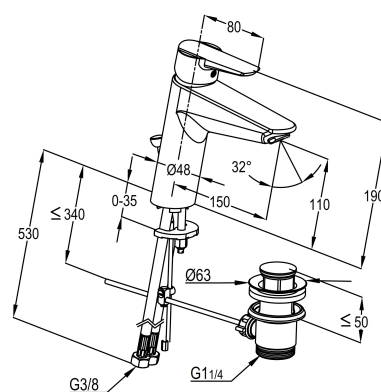


Advertisement

- * KLUDI RAK LLC item no. RAK11060
 PROJECT single lever basin mixer XL
- ** chrome plated brass, in accord. to EN 50930-6
- *** in accordance to EN 817
- **** ceramic cartridge K-35 with hot water safety device

single lever basin mixer XL, manufacturer KLUDI RAK LLC
 KLUDI RAK PROJECT item no. RAK11060
 type: single lever basin mixer XL, DN 10 / PN 10, chrome plated brass, solid lever,
 chrome plated metal, ceramic cartridge K-35 with hot water safety device,
 noise level DIN 4109 group I, report no. P-IX 6709/IA,
 aerator M 24 x 1, flow class A (max. 0.25 l/s), flexible high pressure supply
 tubes 3/8 inch with DVGW / KIWA / WRAS / CSTBAT approval, rapid installation set,
 with pop up waste 1 1/4 inch
 dimensions: height 190 mm, nozzle height 110 mm, nozzle projection 150 mm,
 lever projection 80 mm

Dimensional drawing



Flow rate diagram

